

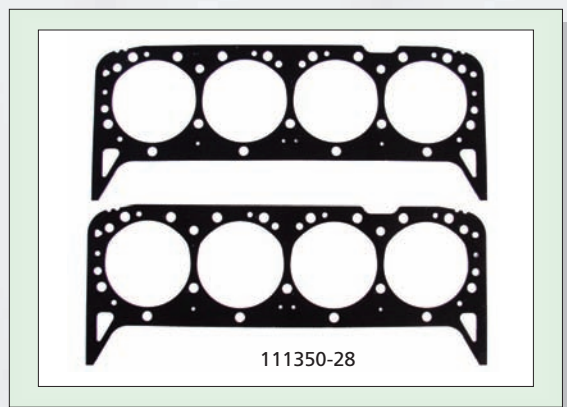
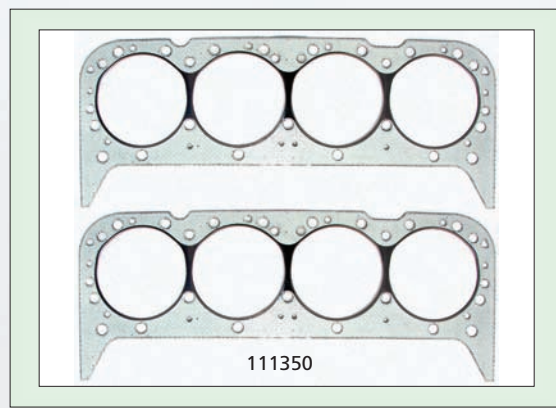
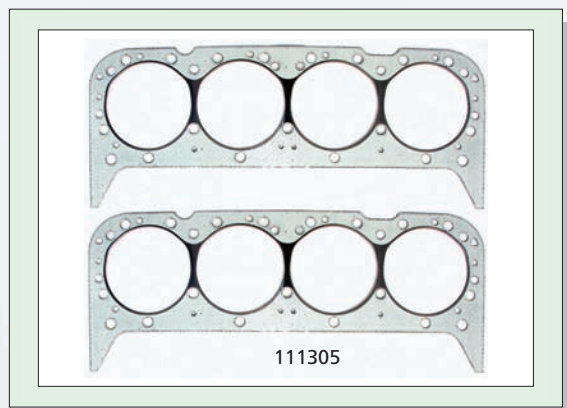
Gasket Application Chart

ENGINE	YEARS	HEAD GSKT	INTAKE GSKT	EXHAUST GSKT	TIMING CVR SET INCL FP & WP	OIL PAN GSKT	REAR MAIN	FRONT SEAL	T-STAT	VALVE CVR
CHEVY										
283 - 400	59 - 74	111305 262-305 111350 283-350 111350-28 111350MLS 111350SS 111400* 400 111400MLS *No Steam Holes	112350 1.25 .060 112320 1.32 .060 112390 1.30 .090	113350	114350	115350 115350RLH	116100 1-pc 116200 2-pc 116900 2-pc .	117350	118350	
305 - 400	75 - 85	.	122350	113350	114350	125350		117350	118350	
305/350 W/FI	85 - 91		122350	133350	114350	135350		117350	118350	
346 LS1	97 - 04	n/a	162346	163346	n/a	n/a	166346	na	n/a	169346
396 - 454 Inc Gen IV	65 - 90	171454 171454MLS	172396 172180 1.80 Oval 172184 1.84 Rect 172220 Big Chief Trim	173396	174396	175396 175396R	176396 176396V Viton	177396	178396	
454 - 502 Gen V, VI	91 - 00	n/a	182502	183502	184502	n/a	n/a	177396	178396	n/a
4.6 (281) DOHC	93 - 03	211046L Left 211046R Right	n/a	213046	n/a	n/a	216046	217046	n/a	219046
FORD										
221 - 302 No Boss	62 - 85	221302 221302MLS	222302	223302	224302	225302	226302	227302	228302	229302
302 EFI	86 - 95	221302	242302	223302	224302	225302	246302	227302	228302	229302
351W	69 - 92	221302	222302	253351	224302	255351	256351	227302	228302	229302
351C	70 - 74	261351MLS								
390/428	66 - 71	271390	272390	273390	274390	275390	276390	227302	278390	279390
429/460	68 - 88	281429	282429	283429	284429	285429	286429	227302	288429	289429
CHRYSLER										
318	67 - 91	311318	312318	313318	314318	315318	316318	317318	318318	319318
340/360	68 - 89	311318	322340	323340	314318	n/a	316318	317318	318318	319318
383/400/413	59 - 78	331440	332440	333440	334440	335440	336383	317318	338440	339440
440	66 - 78	331440	332440	333440	334440	335440	346440	317318	338440	339440
426 HEMI	64 - 71	n/a	352426	353426	334440	335440	346440	317318	338440	339426
OLDSMOBILE / PONTIAC										
350-455 Olds 326-455 Pontiac	68 - 76	411455 Olds 411326 Pontiac	412455	413455	414455	415455	416455	417455	418455	N/A

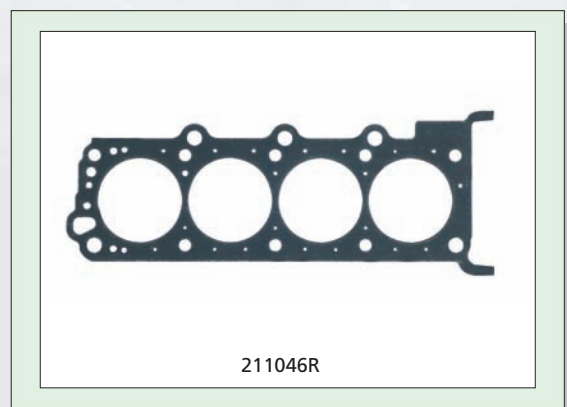
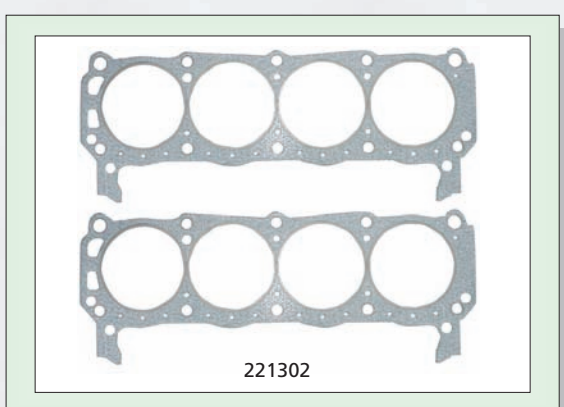
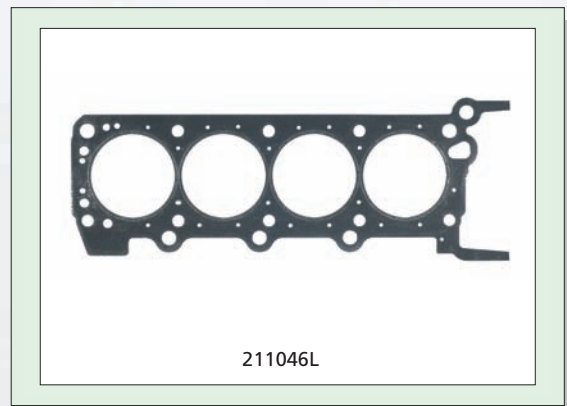
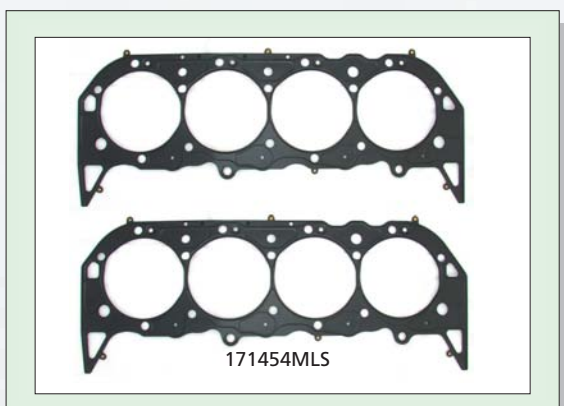
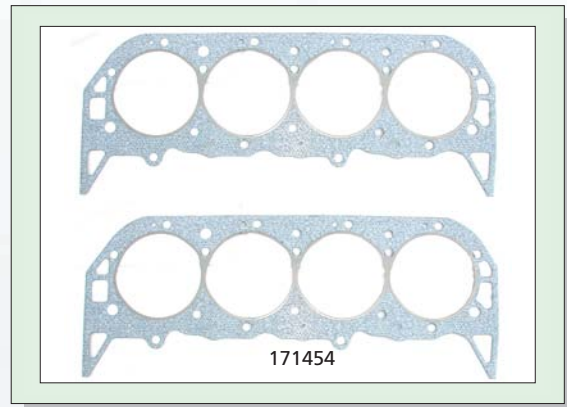
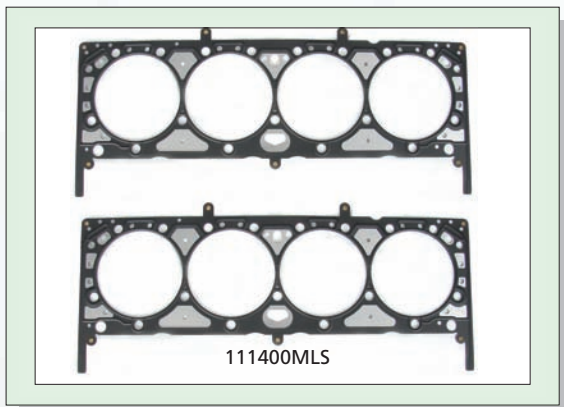
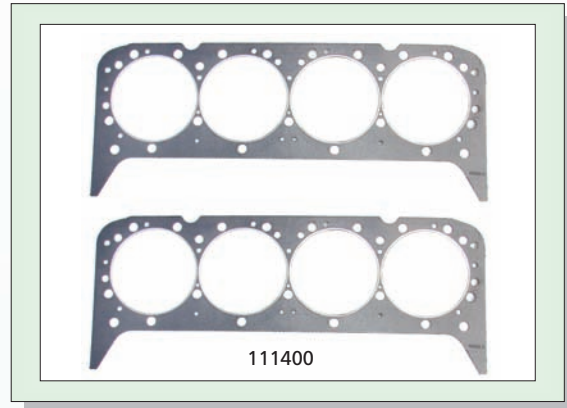
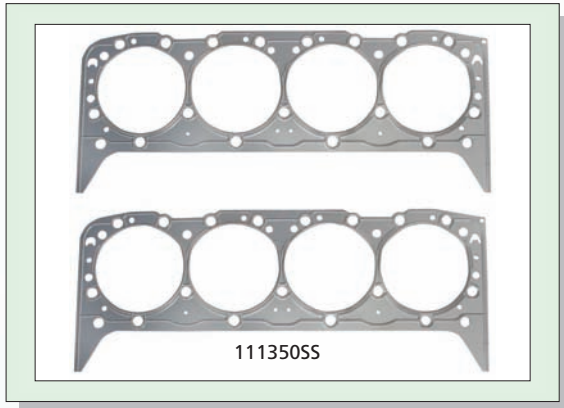


Head Gasket Sets

PART NO.	10-PACK	MAKE	YEAR	DESCRIPTION	COMPARE TO MR GASKET	COMPARE TO FEL-PRO
111305	111305-10	SB Chevy	1959-74	262-305	5780	1003
111350	111350-10	SB Chevy	1959-74	283-350	5800	1003
111350-28	111350-28-10	SB Chevy	1959-74	283-350 28cc Comp Thickness		
111350MLS		SB Chevy	1959-74	283-350 Multi-Layered Steel		
111350SS		SB Chevy	1959-74	283-350 Stainless		
111400	111400-10	SB Chevy	1959-74	400 - No Steam Holes	5801	1003
111400MLS		SB Chevy	1959-74	400 - Multi-Layered Steel		
171454	171454-10	BB Chevy	1965-90	396-454-502 Gen IV-V	5804	1017-1
171454MLS		BB Chevy	1965-90	396-454-502 Gen IV-V Multi-Layered Steel		
211046L		SB Ford		4.6L - Left Side	5775	1141L
211046R		SB Ford		4.6L - Right Side	5776	1141R
221302		SB Ford	1962-85	221-302-351W - Not Boss	5807	1011-2
221302MLS		SB Ford	1962-85	221-302-351W - Not Boss Multi-Layered Steel		
261351MLS		SB Ford	1970-74	351C - Multi-Layered Steel		
271390		BB Ford FE	1966-71	390-428	5790	1020
281429		BB Ford	1968-88	429-460	5809	1018
311318		SB Chrysler	1967-89	318-340-360	5805	1008
331440		BB Chrysler	1959-78	383-400-413-440	5784	1009
411455		Oldsmobile	1968-76	350-455	5788	1155
411326		Pontiac	1968-76	326-455	5810	1016



Head Gasket Sets

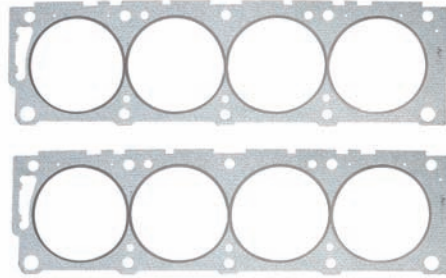




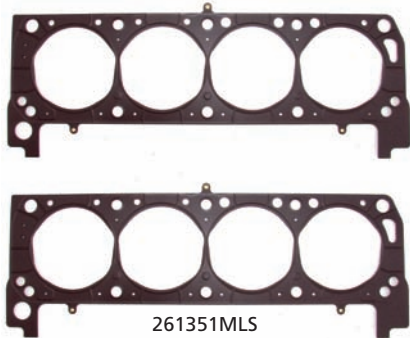
Head Gasket Sets



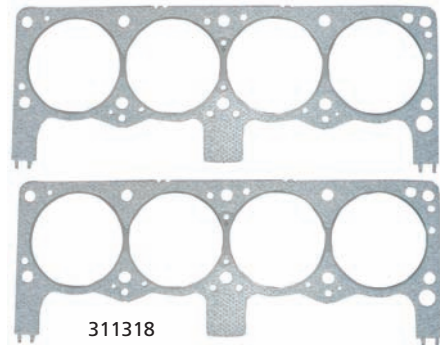
221302MLS



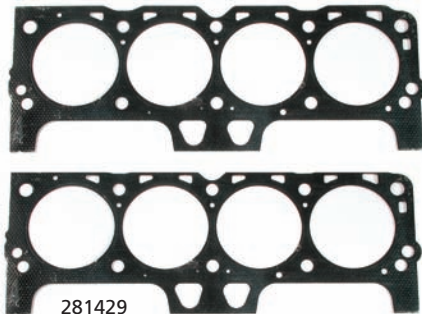
271390



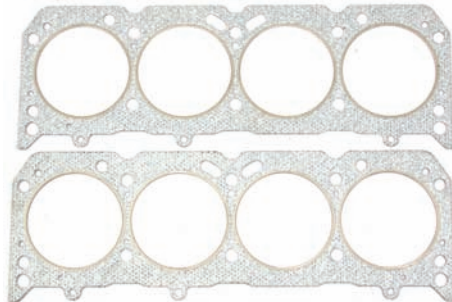
261351MLS



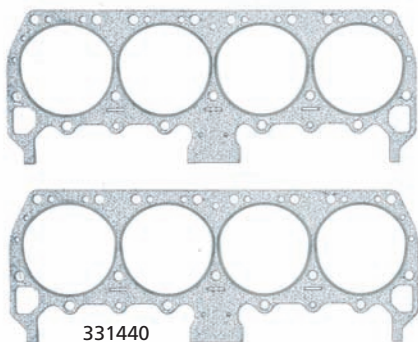
311318



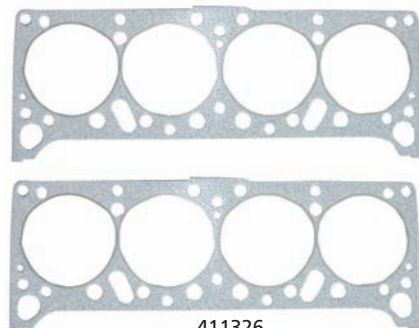
281429



411455



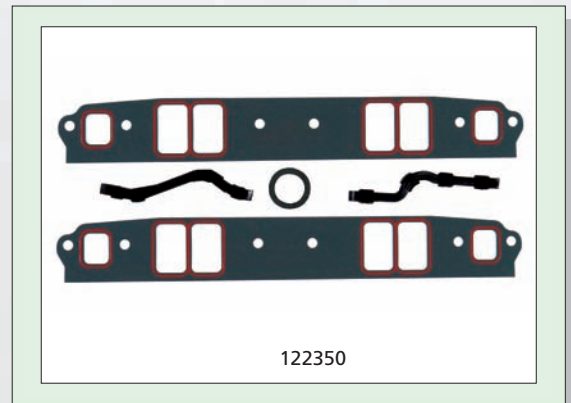
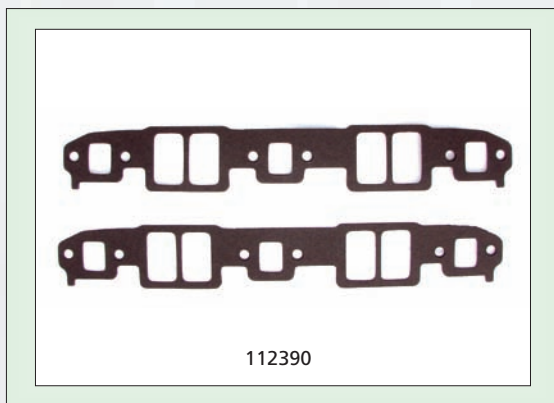
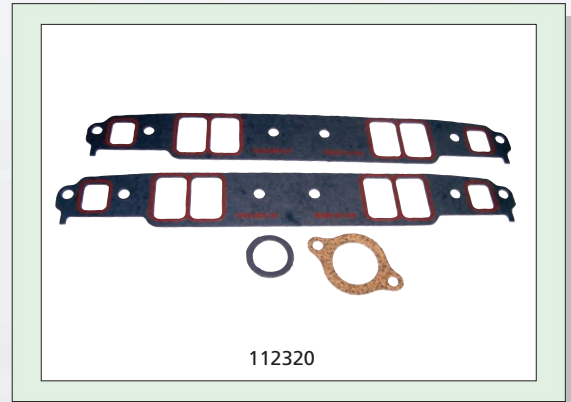
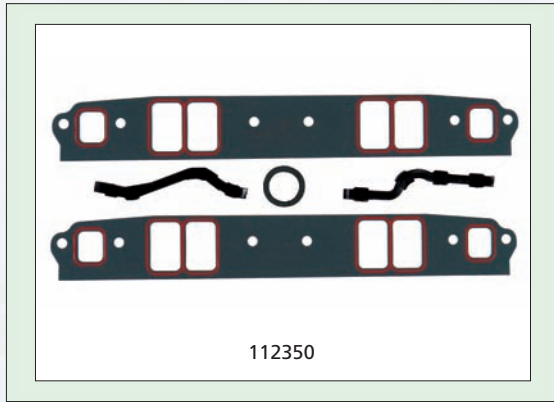
331440



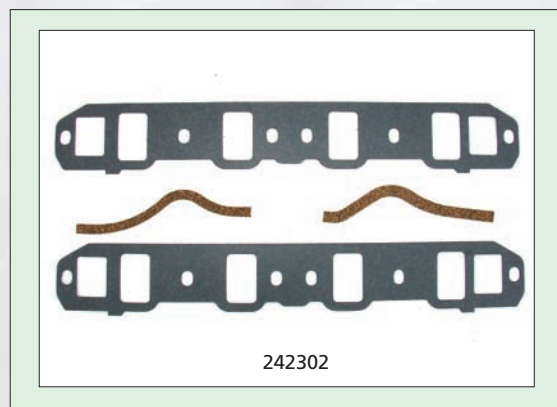
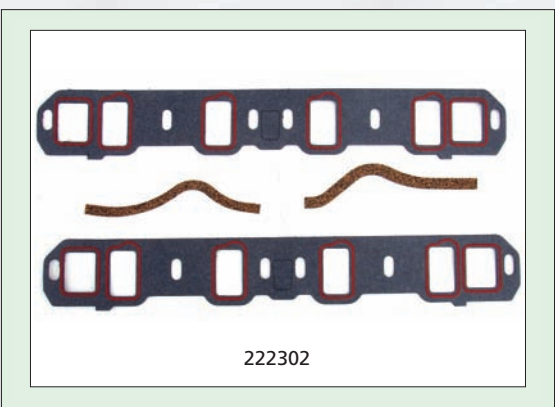
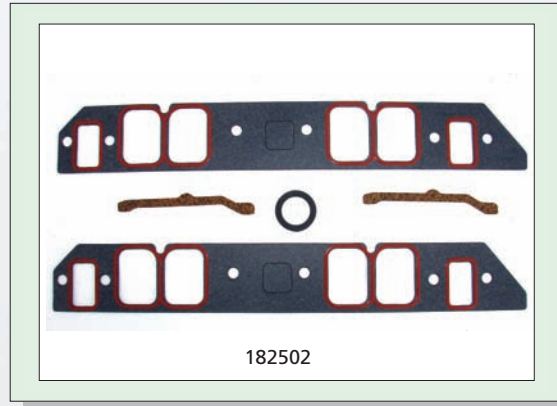
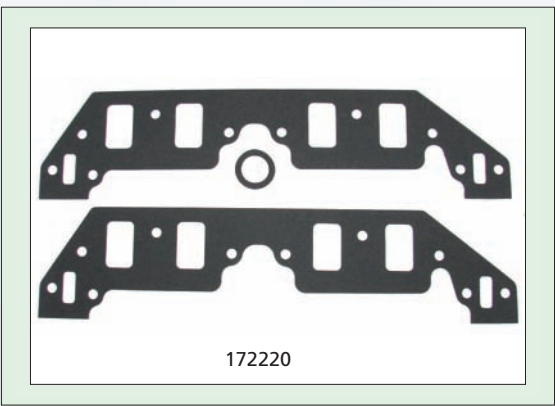
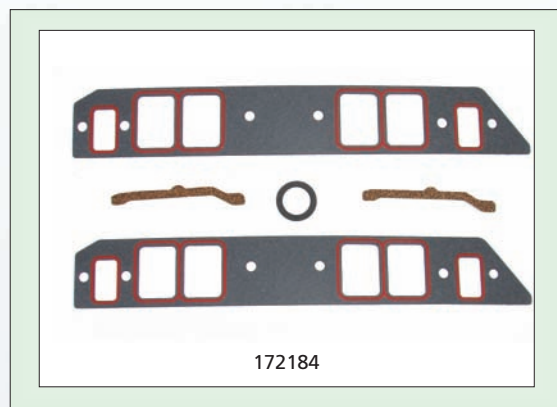
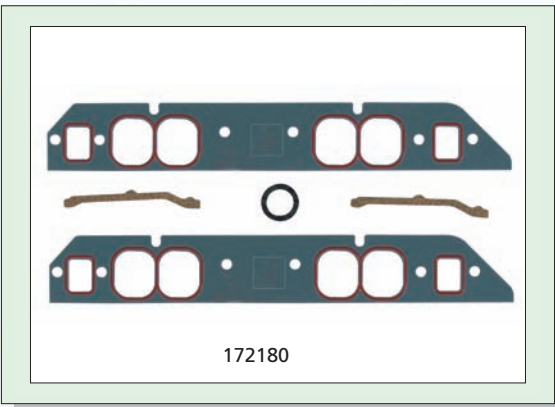
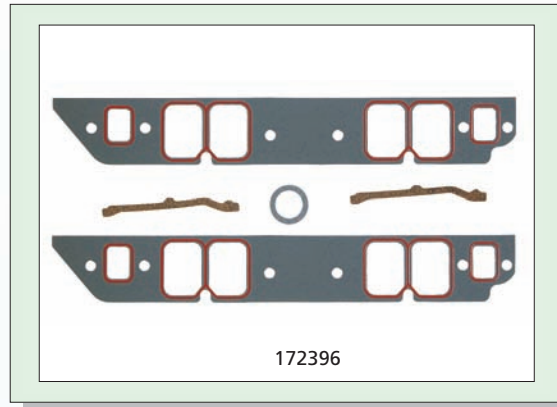
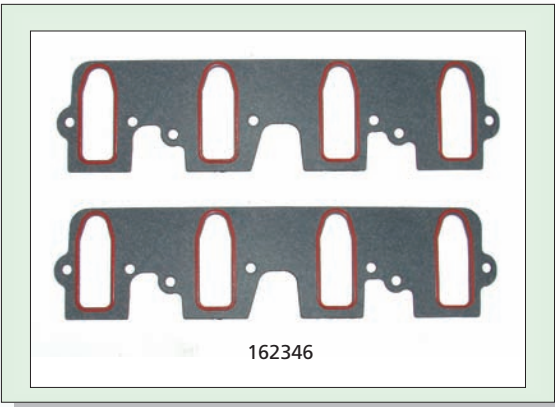
411326

Intake Gasket Sets

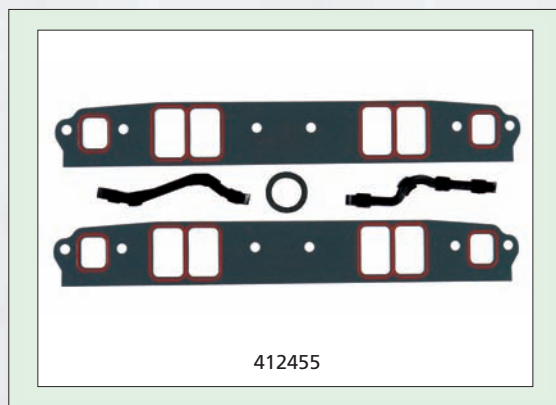
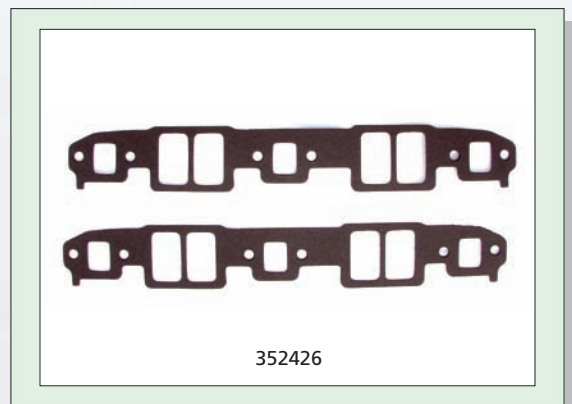
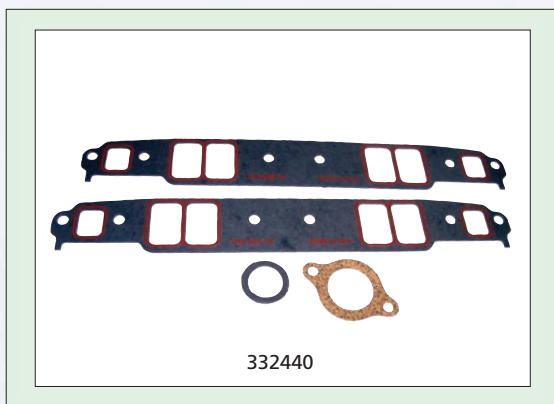
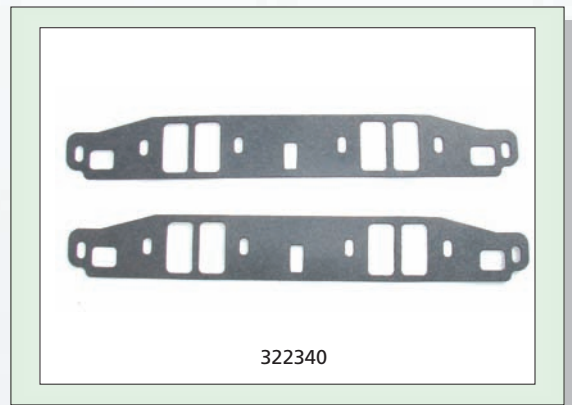
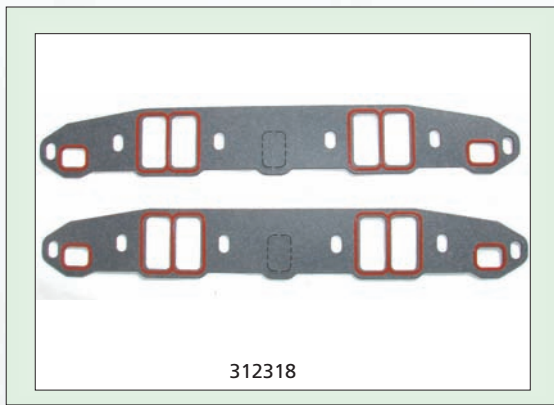
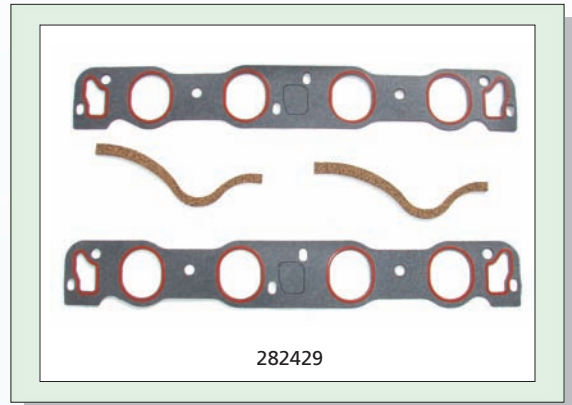
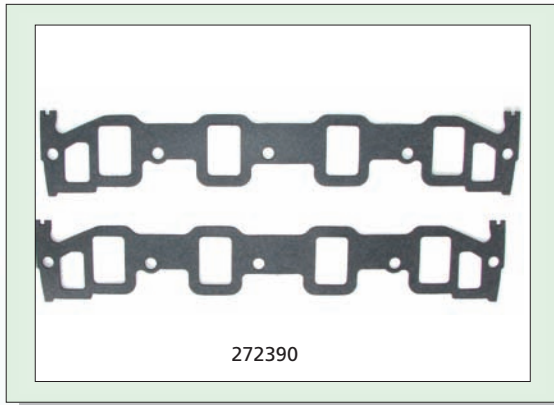
PART NO.	10-PACK	MAKE	YEAR	DESCRIPTION	PORT	COMPARE TO MR GASKET	COMPARE TO FEL-PRO
112350	112350-10	SB Chevy	1959-74	283-400	1.20 x 2.00	5820	1204
112320	112320-10	SB Chevy	1959-74	283-400	1.35 x 2.20	5822	1206
112390	112390-10	SB Chevy	1959-74	283-400	1.33 x 2.25	5812	
122350	122350-10	SB Chevy	1975-85	305-400 305-350 w/wo FI	1.26 x 2.20	5820	1204
162346	162346-10	SB Chevy	1997-04	346 LS1	1.16 x 3.38	4668G	1312-3
172180	172180-10	BB Chevy	1965-90	396-454	1.81 x 2.02	5827	1212
172184	172184-10	BB Chevy	1965-90	396-454	1.80 x 2.51	5828	1298
172220	172220-10	BB Chevy	1965-90	396-454	Big Chief - 1.31 x 2.18		1251
172396	172396-10	BB Chevy	1965-90	396-454 Gen IV	1.80 x 2.07	5828	1275
182502	171454-10	BB Chevy	1991-00	454-502 Gen V & VI	1.78 x 2.55	4672G	1275
222302	222302-10	SB Ford	1962-85 1969-92	221-302 (Not Boss) 351W	1.09 x 1.90	5831	1250
242302	242302-10	SB Ford	1986-95	302 EFI	1.26 x 2.02	5835	1250
272390	272390-10	BB Ford FE	1966-71	390-428	1.41 x 2.13	206G	1246
282429	282429-10	BB Ford	1968-88	429-460	1.90 x 2.28	5838	1230
312318	312318-10	SB Chrysler	1967-91	318	1.06 x 2.19	5840	1213
322340	322340-10	SB Chrysler	1968-89	340-360	1.18 x 2.28	5840	1213
332440	332440-10	BB Chrysler	1959-78 1966-78	383-400-413-440	1.22 x 2.26	5841	1276
352426	352426-10	BB Chrysler	1964-71	426 Hemi	1.85 x 2.00	303G	1234
412455	412455-10	Oldsmobile	1968-76	455	1.40 x 2.40	4694G	1356



Intake Gasket Sets



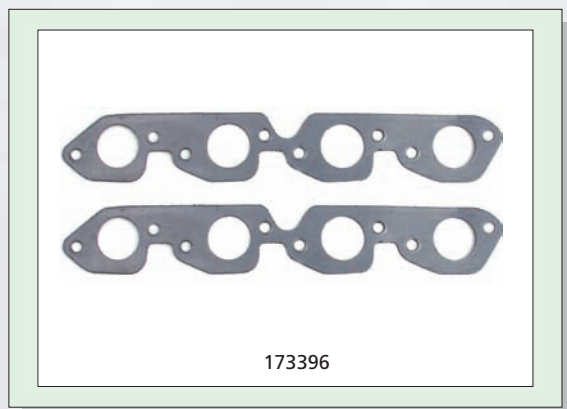
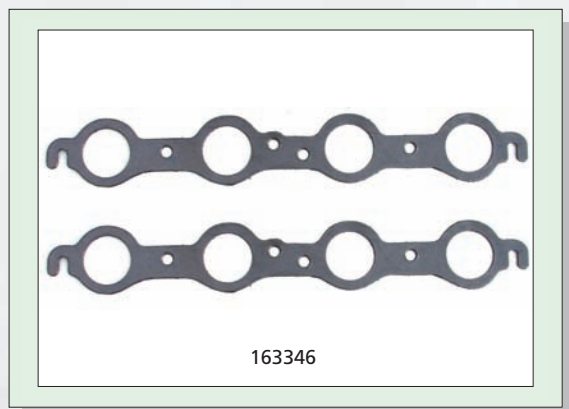
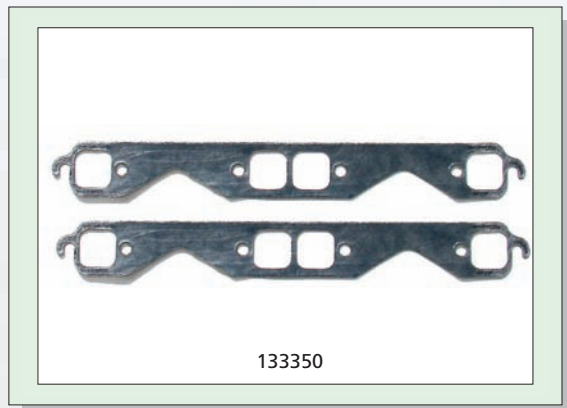
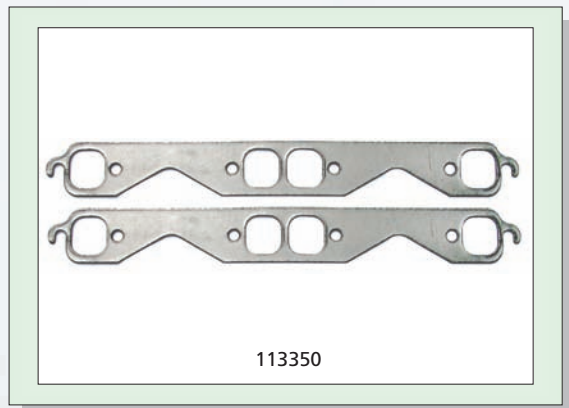
Intake Gasket Sets



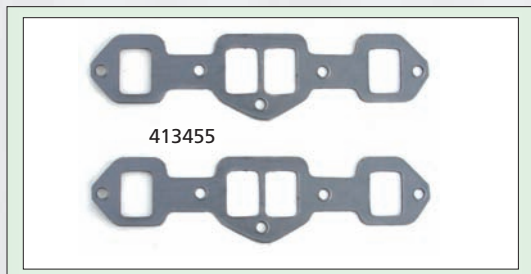
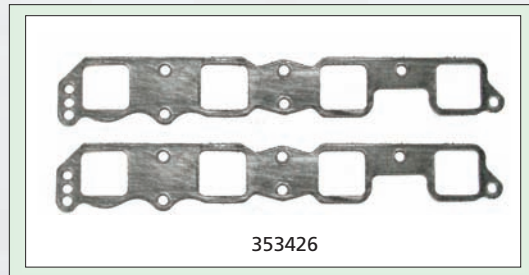
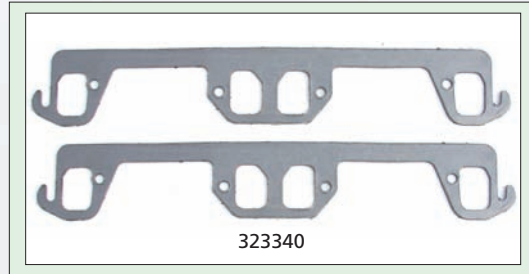
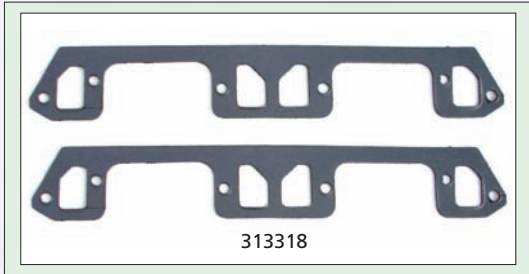
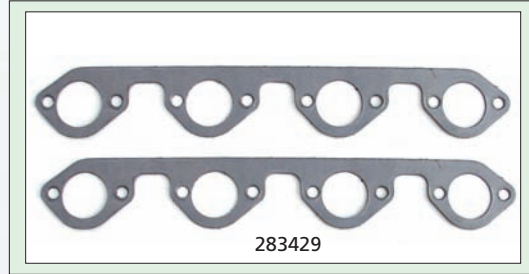
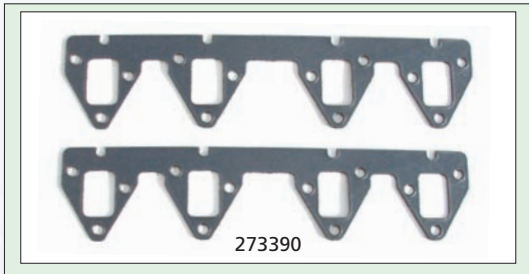
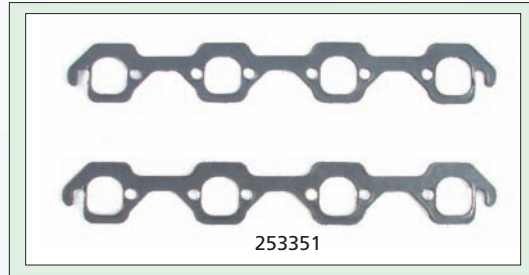
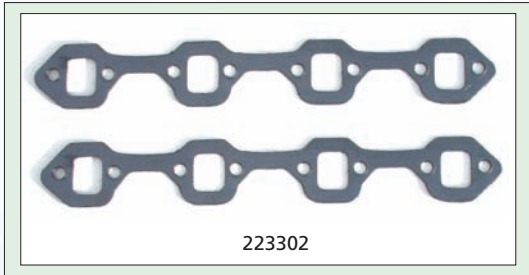
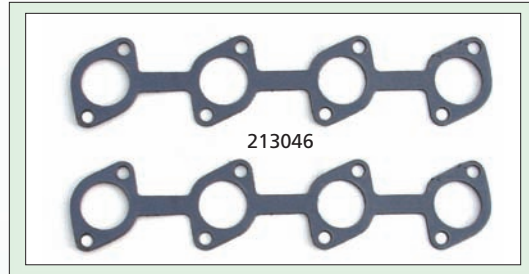
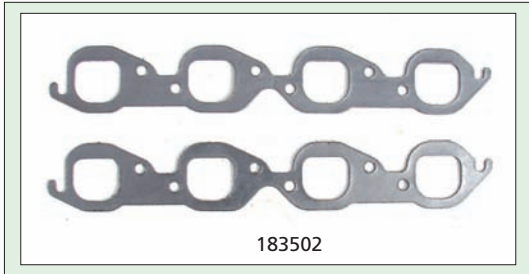


Exhaust Gasket Sets

PART NO.	10-PACK	MAKE	YEAR	DESCRIPTION	COMPARE TO MR GASKET	COMPARE TO FEL-PRO
113350	113350-10	SB Chevy	1959-74	283-400	5916	1405
113350	113350-10	SB Chevy	1975-85	305-400	5916	1405
133350	133350-10	SB Chevy	1985-86	305-350 FI	5916	1405
133350	133350-10	SB Chevy	1987-91	305-350 FI	5916	1405
163346	163346-10	SB Chevy	1997-04	346 LS1	5964	1438
173396	173396-10	BB Chevy	1965-90	396-454 Gen IV	5910	1410
183502	183502-10	BB Chevy	1991-00	454-502 Gen V-VI	5910	1410
213046	213046-10	SB Ford	1993-04	4.6L (281) DOHC	7556	
223302	223302-10	SB Ford	1962-85	221-302, 302FI (Not Boss)	5930	1467
253351	253351-10	SB Ford	1969-92	351W	5832	1467
273390	273390-10	BB Ford FE	1966-71	390-428	254G	1442
283429	283429-10	BB Ford	1968-88	429-460	5954	1419
313318	313318-10	SB Chrysler	1967-91	318	5935	1413
323340	313340-10	SB Chrysler	1968-89	340-360	5935	1413
333440	333440-10	BB Chrysler	1959-78	383-400-413	5936	1414
333440	333440-10	BB Chrysler	1966-78	440	5936	1414
353426	353426-10	BB Chrysler	1964-71	426 Hemi	5937	1462
413455	413455-10	Oldsmobile	1968-76	455	5945	1439



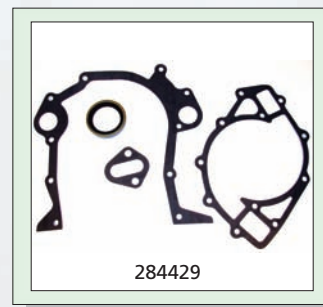
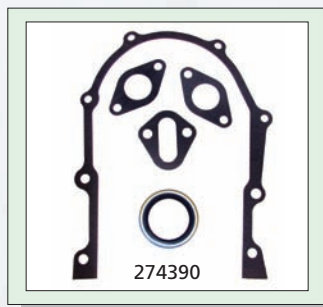
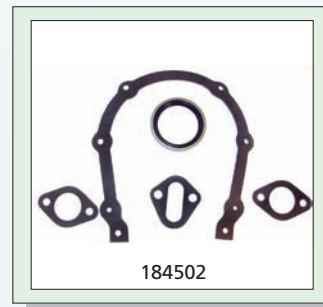
Exhaust Gasket Sets





Timing Gasket Sets

PART NO.	10-PACK	MAKE	YEAR	DESCRIPTION	COMPARE TO MR GASKET	COMPARE TO FEL-PRO
114350	114350-10	SB Chevy	1959-85	283-400	4403	2702
114350	114350-10	SB Chevy	1985-91	305-350 FI		
174396	174396-10	BB Chevy	1965-90	396-454 Gen IV	4404	2703
184502		BB Chevy	1991-00	454-502 Gen V & VI		2703
224302		SB Ford	1962-92	221-302	4410	2707-1
224302		SB Ford	1986-95	302-302 EFI		
224302		SB Ford	1969-92	351W		
274390		BB Ford FE	1966-71	390-428		2720
284429		BB Ford	1968-88	429-460		2712
314318		SB Chrysler	1967-91	318-340-360		2714
334440		BB Chrysler	1959-78	383-400-413-440	4424	2716
334440		BB Chrysler	1966-78	426 Hemi		
414455		Oldsmobile	1968-76	455		



Front Timing Seals

PART NO.	APPLICATION	YEAR	DESCRIPTION	COMPARE TO MR GASKET	COMPARE TO FEL-PRO
117350	SB Chevy	59-91	283-400	18	2330
177396	BB Chevy	65-90	396-454	17	2330
217046	SB Ford 4.6L	93-04	Ford 4.6L	n/a	n/a
227302	SB/BB Ford	All	All except 4.6L	780G	
317318	SB Chrysler	All	All V8 Apps	781G	n/a
417455	Oldsmobile	68-76	455	n/a	n/a



Thermostat Gaskets

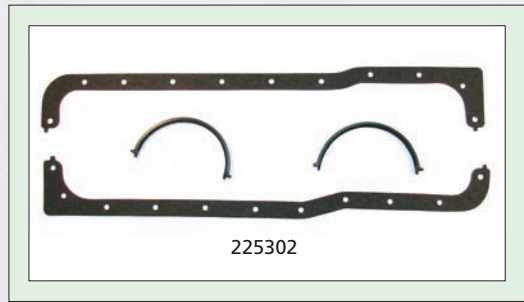
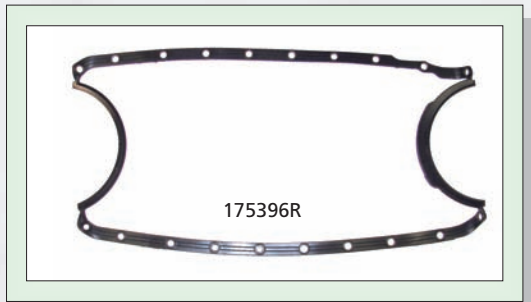
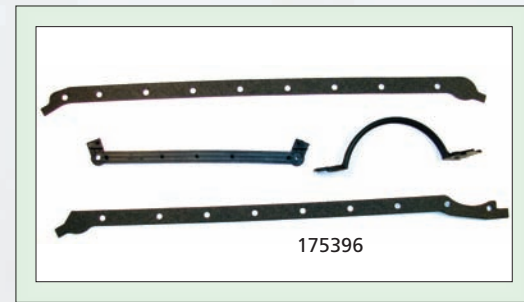
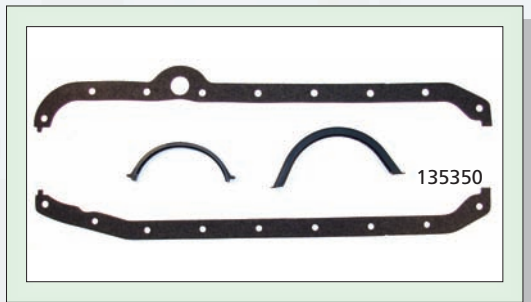
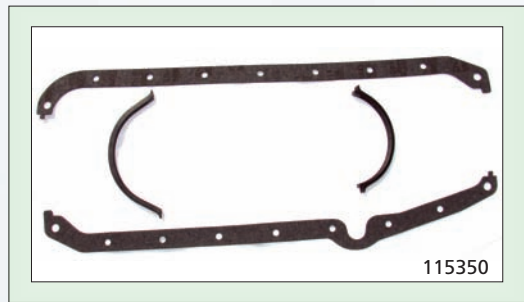
PART NO.	10-PACK	MAKE	YEAR	DESCRIPTION	COMPARE TO MR GASKET	COMPARE TO FEL-PRO
118350	118350-10	SB Chevy	1959-74	283-400	740C	
118350	118350-10	SB Chevy	1975-91	305-400 w/wo FI		
178396	178396-10	BB Chevy	1965-90	396-454 Gen IV	740C	
178396	178396-10	BB Chevy	1991-00	454-502 Gen V & VI		
228302		SB Ford	1962-92	221-302-351W	746C	
278390		BB Ford FE	1966-71	390-428	748	
288429		BB Ford	1968-88	429-460		
318318		SB Chrysler	1967-91	318	745	
318318		SB Chrysler	1968-89	340-360		
338440		BB Chrysler	1959-78	383-400-413-440	745	
338440		BB Chrysler	1966-78	426 Hemi		
418455		Oldsmobile	1968-76	455 Timing Seal		



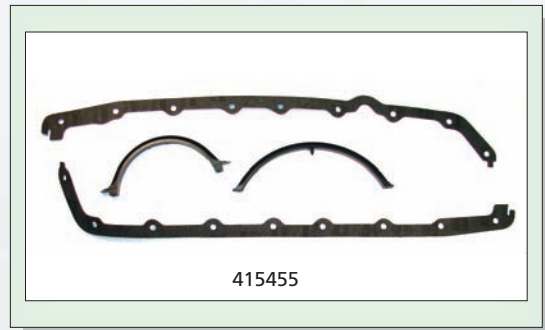
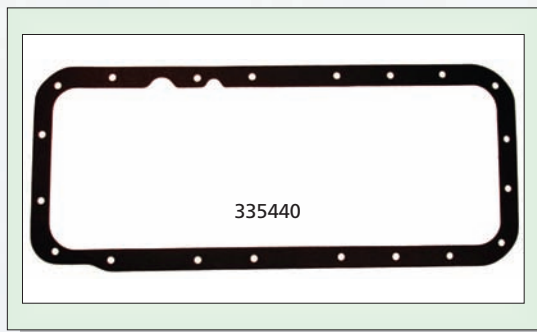
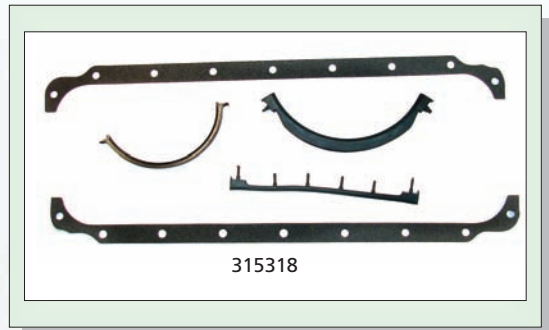
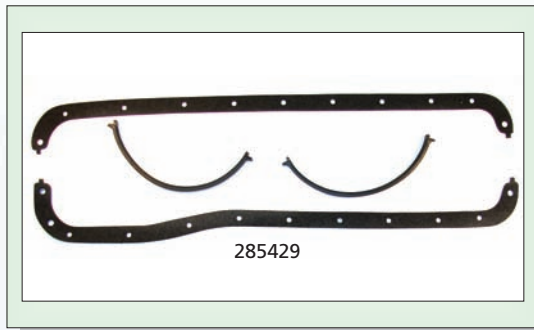
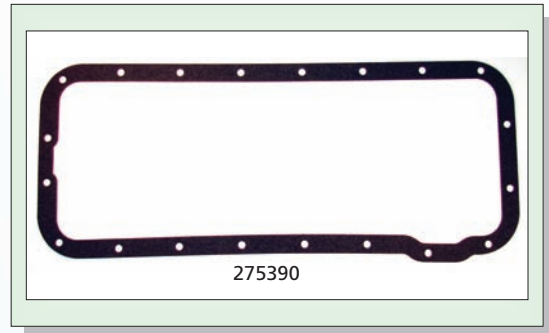
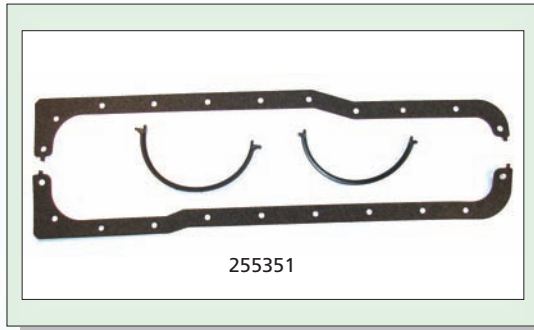


Oil Pan Gasket Sets

PART NO.	10-PACK	MAKE	YEAR	DESCRIPTION	COMPARE TO MR GASKET	COMPARE TO FEL-PRO
115350	115350-10	SB Chevy	1959-74	283-400	196	1885
115350RLH	115350RLH-10	SB Chevy	1959-74	283-400 1 pc Rubber		
125350	125350-10	SB Chevy	1975-85	305-400	5881	1885
135350	135350-10	SB Chevy	1986-91	305-350 FI	5882	1818
175396	175396-10	BB Chevy	1965-90	396-454 Gen IV	5883	1804
175396R	175396R-10	BB Chevy	1965-90	396-454 Gen IV		
225302		SB Ford	1962-85	221-302	5890	1809
225302		SB Ford	1986-95	302 EFI	5890	1809
255351		SB Ford	1969-92	351W	5891	1809
275390		BB Ford FE	1966-71	390-428	290	1817
285429		BB Ford	1968-88	429-460	292	1812
315318		SB Chrysler	1967-91	318	5895	1806
335440		BB Chrysler	1959-78	383-400-413-440	5895	1808
335440		BB Chrysler	1966-78	426 Hemi	5895	1808
415455		Oldsmobile	1968-76	455	490	



Oil Pan Gasket Sets



Bottom End Gasket Kits

Gaskets for oil pan, water pump, timing cover along with front timing and rear main seals.

PART NO.	APPLICATION
110100	SB Chevy
170100	BB Chevy, Gen IV
220100	SB Ford 289-302
250100	Ford 351W





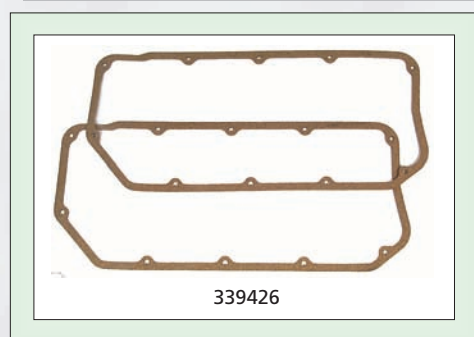
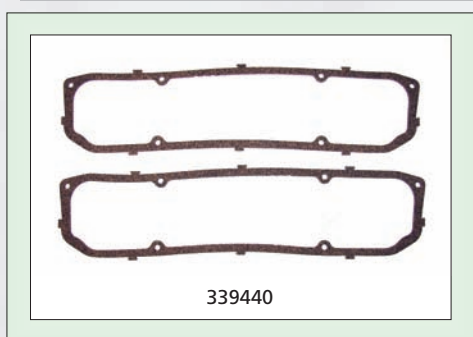
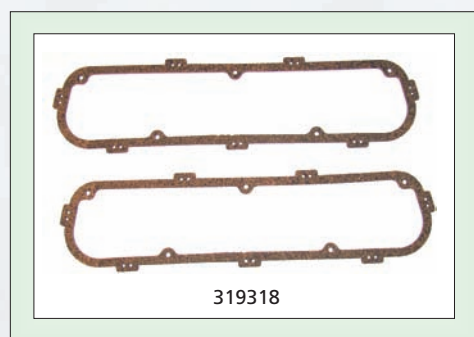
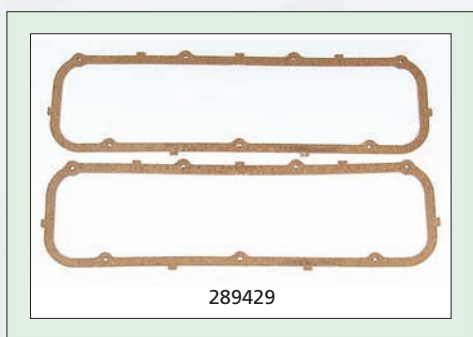
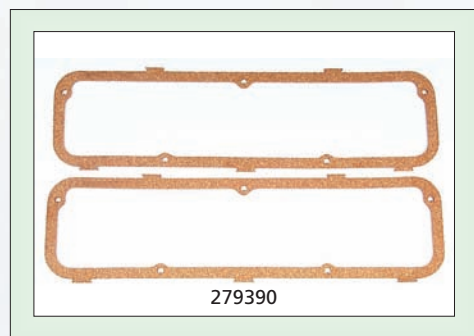
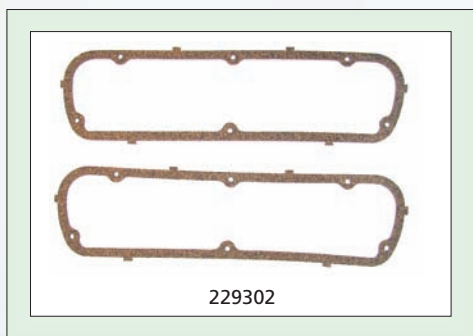
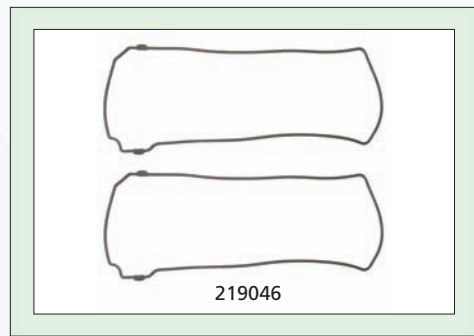
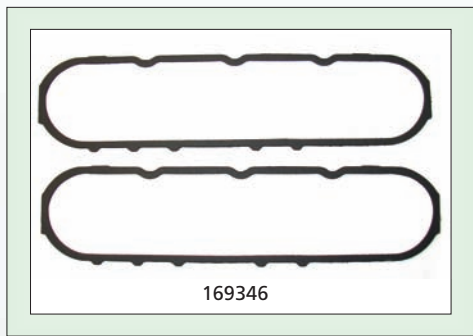
Rear Main Seals

PART NO.	APPLICATION	YEAR	DESCRIPTION	COMPARE TO MR. GASKET	COMPARE TO FEL-PRO
116100	SB Chevy 1-pc	59-91	283-400	1960	2919
116200	SB Chevy 2-pc	59-91	283-400	n/a	2900
116900	SB Chevy 2-pc Ovr	59-91	283-400	n/a	2909
166346	SB Chevy LS1	97-02	LS1	n/a	n/a
176396	BB Chevy	65-90	396-454	1969	2904
176396V	BB Chevy Viton	65-90	396-454		
216046	SB Ford 4.6L	93-04	Ford 4.6L	n/a	n/a
226302	SB Ford	62-85	302 (Not Boss)	1963	2901
246302	SB Ford	86-95	302 EFI	30	2921
256351	SB Ford	69-92	351W	1963	2902
276390	BB Ford FE	66-71	390/428	1964	n/a
286429	BB Ford	68-88	429/460	1965	2948
316318	SB Chrysler	70-89, 68-73	318, 340	33	n/a
336383	BB Chrysler	59-78	383, 400, 413	32	2947
346440	BB Chrysler	66-78	440, 426 Hemi	1968	2947
416455	Oldsmobile	68-76	455	1965	n/a

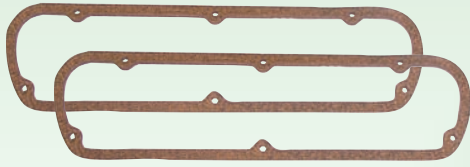


Valve Cover Gasket Sets

PART NO.	APPLICATION	DESCRIPTION	DESCRIPTION	COMPARE TO MR GASKET	COMPARE TO FEL-PRO
169346	SB Chevy LS1	97-04	LS1	183G	n/a
219046	SB Ford 4.6L	93-04	Ford 4.6L	5858G	n/a
229302	SB Ford	86-95	221-302 (Not Boss), 302 EFI, 351W	276	1645
279390	BB Ford FE	66-71	390/428 FE	275	1632
289429	BB Ford	68-88	429/460	278	1643
319318	SB Chrysler	67-91	318/340/360	379	1646
339426	BB Chrysler	64-71	426 Hemi	374	1629
339440	BB Chrysler	66-78	383/400/413/440/426 Wedge	378	1610



Gaskets



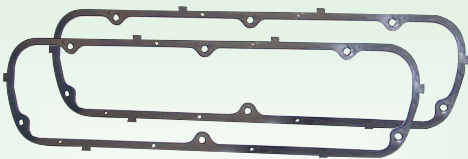
STEEL CORE VALVE COVER GASKETS

Made from virgin cork material that ensures a proper seal on the valve cover after torque. Steel core gaskets have a steel shim laminated between 2 layers of premium cork rubber material ensuring the gasket will retain its shape after torque. Packaged in pairs. Bulk quantities also available.

PART NO.	APPLICATION	MATERIAL	THICKNESS
302SVC	SB Ford	Steel Core	5/16"
350PVC	SB Chevy	Cork Rubber	5/16"
350SVC	SB Chevy	Steel Core	5/16"
357SVC	SB Chevy 18°	Steel Core	5/16"
454PVC	BB Chevy	Cork Rubber	5/16"
454SVC	BB Chevy	Steel Core	5/16"
456SVC	Dart Big Chief	Steel Core	5/16"

20-PK

PART NO.	APPLICATION	MATERIAL	THICKNESS
302SVC-20	SB Ford	Steel Core	5/16"
350PVC-20	SB Chevy	Cork Rubber	5/16"
350SVC-20	SB Chevy	Steel Core	5/16"
454PVC-20	BB Chevy	Cork Rubber	5/16"
454SVC-20	BB Chevy	Steel Core	5/16"
456SVC-20	Dart Big Chief	Steel Core	5/16"



RUBBER VALVE COVER GASKETS

EW's economy gaskets are designed to provide amazing value. All but the 350CVC feature a steel shim frame sandwiched between blue rubber sealing material. Imported. Packaged in pairs or 20-pack.

PART NO.	20-PACK	APPLICATION
302RVC	302RVC-20	SB Ford 260-351W
350RVC	250RVC-20	SB Chevy 265-400 Early Style
350CVC	350CVC-20	SB Chevy Centerbolt Valve Cover
454RVC	454RVC-20	BB Chevy

503500



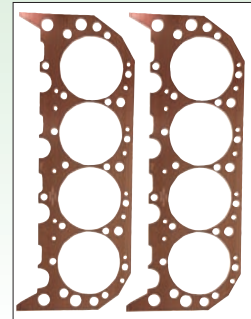
FULL GASKET SETS

Sets include all the quality gaskets necessary for an engine rebuild.

PART NO.	DESCRIPTION
503500	Chevy 283, 302, 307, 327, 350 engines 60-85
504540	BB Chevy Gen IV. Set includes Marine grade intake and graphited exhaust gaskets.
503505	SB Chevy 350 60-85 with 10063 shim head gaskets
503022	SB Ford 302, 5.0L 85-95
503508	SB Chevy, 350 Vortec

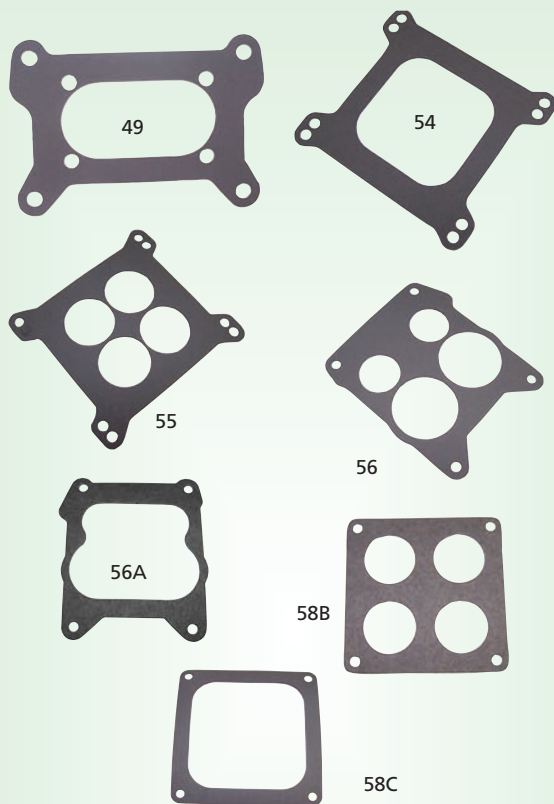
COPPER HEAD GASKETS

- Sold as pair
- Embossed
- High Performance



PART NO.	SIZE	APPLICATION
242443	.043" x 4.240"	BB Chevy
246343	.043" x 4.630"	BB Chevy
246350	.050" x 4.630"	BB Chevy
243262	.062" x 4.320"	BB Chevy
141543	.043" x 4.155"	SB Chevy
140643	.043" x 4.060"	SB Chevy
141562	.062" x 4.155"	SB Chevy
140662	.062" x 4.060"	SB Chevy
340643	.043" x 4.060"	SB Chevy

Fuel & Collector Gaskets



CARBURETOR MOUNTING GASKETS

Engine Works is the place for value in carburetor components. Only the highest quality parts are accepted, designed and specified for Engine Works by OEM engineers and after-market carb modifiers.

PART NO.	APPLICATION
49	Holley 2-bbl
54	Carter, AFB, Holley open center
55	Carter, AFB Holley 4-port
56	Quadrajets
56A	Quadrajets open center
58B	Dominator, 4-port
58C	Dominator, Open Center

COPPER COLLECTOR GASKET

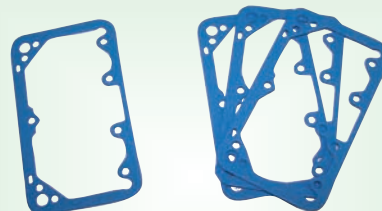
Engine Works copper gaskets create a better seal and won't blow out. Bolts stay tight because of the stability of the gasket material. Manufactured from .043 solid copper, each gasket features an embossed O-ring for a tight, leak-free seal.

PART NO.	DESCRIPTION
103250	2.5"
103300	3.0"



METERING BLOCK GASKETS

EACH	4-PK.	APPLICATION
129	11829	Fits 4150 series
130	11830	Fits 4160 series secondary
131	11831	Fits 4160 series primary



FUEL BOWL GASKETS

PART NO.	DESCRIPTION
133	Each, reusable
11833	4 pack, reusable

CARBURETOR GASKET KIT

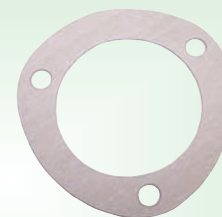
Two each Teflon coated fuel bowl and metering block gaskets.

PART NO.
11800



COLLECTOR GASKETS

Replacement gaskets available in original and extra thick.



PART NO.	DESCRIPTION
1204	3"
1204X	3" Extra thick